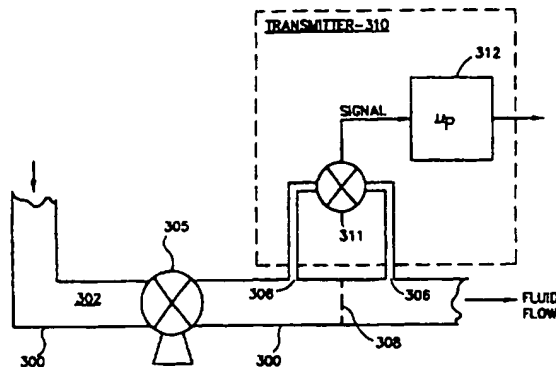




INTERNATIONAL APPLICATION PUBLISHED UNDER THE PATENT COOPERATION TREATY (PCT)

(51) International Patent Classification ⁶ : G05D 7/06, G05B 9/00	A1	(11) International Publication Number: WO 97/21157 (43) International Publication Date: 12 June 1997 (12.06.97)
<p>(21) International Application Number: PCT/US95/15839</p> <p>(22) International Filing Date: 6 December 1995 (06.12.95)</p> <p>(71) Applicant: HONEYWELL INC. [US/US]; Honeywell Plaza, Minneapolis, MN 55408 (US).</p> <p>(72) Inventor: DIXON, Glen, W.; 410 Cheltona Avenue, Jenkintown, PA 19046 (US).</p> <p>(74) Agent: KINSELLA, Peter, J.; Honeywell Inc., Honeywell Plaza - MN12-8251, Minneapolis, MN 55408 (US).</p>	<p>(81) Designated States: AU, BR, CA, CN, JP, SG, European patent (AT, BE, CH, DE, DK, ES, FR, GB, GR, IE, IT, LU, MC, NL, PT, SE).</p> <p>Published With international search report.</p>	

(54) Title: A METHOD OF PREDICTIVE MAINTENANCE OF A PROCESS CONTROL SYSTEM HAVING FLUID MOVEMENT



(57) Abstract

A pipeline system of a process facility has a plurality of equipments, the equipments including at least one pipeline for providing a channel for a fluid of a process to flow. The process of the process facility is controlled by a process control system. The equipments also include at least one device for measuring a process variable of the fluid. The device comprises a sensor element for sensing a predetermined process variable of the fluid flowing in the pipeline to output a signal containing information about the process variable being measured and containing information about the fluid flowing in the pipeline. The device further includes a first filter to pass a first component of the signal containing the information of the process variable and a second filter to pass a second component of the signal containing the information about the fluid flowing in the pipeline. A first processor processes the first component of the signal to output the process variable to the process control system to control the process. A second processor processes the second component of the signal in a flow model of the pipeline system to output advisory information indicating imminent failure of the equipment when detected by said processing by the second processor.

FOR THE PURPOSES OF INFORMATION ONLY

Codes used to identify States party to the PCT on the front pages of pamphlets publishing international applications under the PCT.

AM	Armenia	GB	United Kingdom	MW	Malawi
AT	Austria	GE	Georgia	MX	Mexico
AU	Australia	GN	Guinea	NE	Niger
BB	Barbados	GR	Greece	NL	Netherlands
BE	Belgium	HU	Hungary	NO	Norway
BF	Burkina Faso	IE	Ireland	NZ	New Zealand
BG	Bulgaria	IT	Italy	PL	Poland
BJ	Benin	JP	Japan	PT	Portugal
BR	Brazil	KE	Kenya	RO	Romania
BY	Belarus	KG	Kyrgyzstan	RU	Russian Federation
CA	Canada	KP	Democratic People's Republic of Korea	SD	Sudan
CF	Central African Republic	KR	Republic of Korea	SE	Sweden
CG	Congo	KZ	Kazakhstan	SG	Singapore
CH	Switzerland	LJ	Liechtenstein	SI	Slovenia
CI	Côte d'Ivoire	LK	Sri Lanka	SK	Slovakia
CM	Cameroon	LR	Liberia	SN	Senegal
CN	China	LT	Lithuania	SZ	Swaziland
CS	Czechoslovakia	LU	Luxembourg	TD	Chad
CZ	Czech Republic	LV	Latvia	TG	Togo
DE	Germany	MC	Monaco	TJ	Tajikistan
DK	Denmark	MD	Republic of Moldova	TT	Trinidad and Tobago
EE	Estonia	MG	Madagascar	UA	Ukraine
ES	Spain	ML	Mali	UG	Uganda
FI	Finland	MN	Mongolia	US	United States of America
FR	France	MR	Mauritania	UZ	Uzbekistan
GA	Gabon			VN	Viet Nam

A METHOD OF PREDICTIVE MAINTENANCE OF A PROCESS CONTROL SYSTEM HAVING FLUID MOVEMENT

BACKGROUND OF THE INVENTION

5 The present invention relates to a process control system, and more particularly, to a method of predictive maintenance of a process control system having fluid movement in a pipeline and further having instrumentation devices for measuring parameters (or process variables) of the fluid.

10 In present systems, pressure, or differential pressure, is measured of a fluid as it moves (flows) through a pipeline. Further, in present day systems, a large amount of effort is used to eliminate the "flow noise" of the fluid as it flows through a pipeline (or more simply pipe). Fluid noise is inherent in almost any fluid as it flows through a pipeline. The noise is generally a random, low frequency noise and has always been a prime consideration in the designs of the pressure devices, flow meter devices.... and
15 like devices. Specifically, flow noise is an undesirable component of fluid flow in a pipeline which is sought to be eliminated. If a noise signal which results from the fluid noise is permitted to propagate through the devices attempting to measure parameters of the fluid flowing in the pipeline, then, for example, a device measuring pressure will measure pressure plus all the deviations of pressure of the fluid caused by the noise
20 signal component. It is highly undesirable to measure a process variable which fluctuates based on the noise which is being detected in the pipeline. Thus, efforts are made to eliminate the noise component of a signal outputted from the measuring device utilizing well known techniques. The result is a quiet, stable measurement of the pressure (as an example).

25 The present invention utilizes the noise signal, which has previously been separated and discarded, and analyzes the noise signal to extract data from the noise. Inherent in the noise is information about the flow, such as a popped bearing failure, a leak in the pipe, a pump cavitation..... The present invention thereby provides an improvement over current and past systems by providing a method of predictive
30 maintenance of a process system having fluids flowing in a pipeline and utilizing devices for measuring process variables (or parameters) of the control system.

SUMMARY OF THE INVENTION

Therefore, there is provided by the present invention, a method of predictive maintenance of a process having fluid movement therein. The device further includes a first filter to pass a first component of the signal containing the information of the process variable, and a second filter to pass a second component of the signal containing the information about the fluid flowing in the pipeline. A first processor processes the first component of the signal to output the process variable to the process control system to control the process. A second processor processes the second component of the signal in a flow model of the pipeline system to output advisory information indicating imminent failure of the equipment when detected by said processing by the second processor. A pipeline system of a process facility has a plurality of equipments, the equipments including at least one pipeline for providing a channel for a fluid of a process to flow. The process of the process facility is controlled by a process control system. The equipments also include at least one device for measuring a process variable of the fluid. The device comprises a sensor element for sensing a predetermined process variable of the fluid flowing in the pipeline to output a signal containing information about the process variable being measured and containing information about the fluid flowing in the pipeline.

Accordingly, it is an object of the present invention to provide a method of predictive maintenance.

It is another object of the present invention to provide a method of predictive maintenance of a process control system having fluid movement therein.

It is still another object of the present invention to provide a method of predictive maintenance of a process control system having fluid movement in a pipeline.

It is yet another object of the present invention to provide a method of predictive maintenance control of a process control system having fluid flowing in a pipeline and further including devices for measuring the process variables of the fluid contained therein.

These and other objects of the present invention will become more apparent when taken in conjunction with the following description and attached drawings, wherein like characters indicate like parts, and which drawings form a part of the present application.

BRIEF DESCRIPTION OF DRAWINGS

Figure 1 shows a block diagram of a process control system in which the present invention can be utilized:

5 Figure 2 shows a block diagram of a process controller, including I/O modules (IOP), in which the present invention can be utilized:

Figure 3 shows a block diagram of a controller which is included in the process controller of Figure 2;

Figure 4 shows a block diagram of an I/O module which is included in the process controller of Figure 2:

10 Figure 5 shows a partial, representative plant facility of the preferred embodiment being controlled by the process control system:

Figure 6 shows a functional block diagram of the preferred embodiment of a transmitter of the present invention;

Figure 7 shows an alternative embodiment of the transmitter of Figure 6; and

15 Figure 8 shows a flow diagram of a method used by the transmitter of the present invention for the early detection of pending equipment failures or a pending faulty condition.

DETAILED DESCRIPTION

20 Before describing the method of the present invention, it will be helpful in understanding a system environment in which the present invention can be utilized. Referring to Figures 1 and 2, there is shown a block diagram of a process control system 10 in which the present invention can be utilized.

25 The individual layers of the process control systems include input processor devices (OP 21, sometimes referred to as I/O module) used to interface with field devices, a controller 30, 40, (input processor devices 21 and the controller 30, 40 make up a process controller 20), a network interface (NIM 602) allowing a network of process controllers 20 to be interfaced to a local area network (plant control network 11) which includes man machine interface devices (US 122) and a historization device (HM
30 126). The process control system 10 allows for any of these interposing devices to be made redundant for the critical needs of a process control, to insure that information from the field devices is not lost.

The structure of the process control system 10 will now be described. Referring to Figure 1, there is shown a block diagram of the process control system of the preferred embodiment. The process control system 10 includes a plant control network 11, in which a process controller 20 is operatively connected to the plant control network 11 via a universal control network (UCN) 14 to a network interface module (NIM) 602. In the preferred embodiment of the process control system 10, additional process controllers 20 can be operatively connected to the plant control network 11 via additional corresponding NIMs 602. the process controller 20, interfaces analog input and output signals, and digital input and output signals, and digital input and output signals (A/I, A/O, D/I, and D/O, respectively) to the process control system 10 from the variety of field devices (not shown) which include, pumps, motors, valves, pressure switches, pressure gauges, thermocouples,.... Inputs also include relay closures and the like indicative of the occurrence of a predefined event.

The plant control network 11 provides the overall supervision of a controlled process, in conjunction with the plant operator, and obtains all the information needed to perform the supervisory function, and includes an interface with the operator. The plant control network 11 includes a plurality of physical modules, which include a universal operator station (US) 122, an application module (AM) 124, a history module (HM) 126, a computer module (CM) 128, and duplicates of these modules (and additional types of modules, not shown) as necessary to perform the required control/supervisory function of the process being controlled. Each of these physical modules is operatively connected to a local control network (LCN) 120 which permits each of these modules to communicate with each other as necessary. The NIM 602 provides an interface between the LCN 120 and the UCN 14. A more complete description of the plant control network 11, and the physical modules can be had by reference to U.S. Patent No. 4,607,256.

Referring to Figure 2 there is shown a block diagram of the process controller 20. The preferred embodiment of the process controller 20 of the preferred embodiment of the process control system 10 includes a controller A 30 and a controller B 40, which effectively operate as a primary and secondary controller. Controller A 30 and controller B 40 are connected to the UCN 14, the UCN 14 in the preferred embodiment, comprising for communication redundancy purposes, a UCN(A) 14A and a UCN(B)

14B. Input/output processors (IOPs) (sometimes referred to herein as input output (I/O) modules) 21 interface to field devices, field devices being various pumps, motors, valves, pressure switches, pressure gauges, thermocouples,... which can be analog inputs (A/I), analog outputs (A/O), digital inputs (D/I), and digital outputs (D/O). The controller A 30 and controller B 40 interface to one or more I/O modules via a bus 22, the bus 22 in the preferred embodiment, communicating via a redundant bus 22A and a bus 22B. A more complete description of process controller 20, which includes controller 30 and IOP 21, can be had by reference to U.S. Patent No. 5,146,401.

Referring to Figure 3, there is shown a block diagram of the controller 30, 40. A modem 50 is connected to the UCN 14, the modem having two inputs, one connected to UCN 14A and the other connected UCN 14B. The modem 50 interfaces with a communication unit (COMM) 60 which in turn interfaces with a global memory 70, an I/O interface unit 80, and a control unit 90 via global bus 72. A processor A 63 communicates with the plant control network 11 via modem 50 and TBC 61. The global memory 70 also serves as an interprocessor communication vehicle between the processors A 63 and B 91. Control unit 90 includes the processor B 91 and a local memory B 92, both connected to a local bus 93. Processor B 91 performs the control function (i.e., control processing) relating to the field devices.

The I/O interface unit 80 includes a receiver-transmitter device, this device being a UART (Universal Asynchronous Receiver/Transmitter) 81. The UART 81 is coupled through drivers 82, 83 to bus 22A and bus 22B, respectively.

Processor B 91 receives data from the various field devices through global memory 70, performs the necessary point processing and control function, and then updates the local memory B 92 and global memory 70, as required. The communication unit 60, in response to commands from the control unit 90 via global memory 70, inputs and outputs data between the I/O modules 21 (via the I/O interface unit 80) and the global memory 70, thereby relieving the control unit 90 from the burden of I/O module management. In this manner the control processing is performed by the control unit 90 within the process controller 20 for the predefined attached field devices, and the communication (i.e., the I/O control) is handled by the communication unit 60 through the UART 81.

Referring to Figure 4 there is shown a partial block diagram of an I/O module of the components of interest. A transceiver (anti-jabber circuit) 201 interfaces with bus 22A and bus 22B. The transceiver 201 interfaces with a microcontroller (u-controller) 202 which, in the preferred embodiment, is of the type, Intel 80C31. The micro-
5 controller is coupled to a local bus 203, and includes an EPROM 204 and a RAM 205 also connected to the local bus 203. The RAM 205 contains the information which forms the database for the I/O module 21. The EPROM 204 contains the program information utilized by the microcontroller 202. The application specific circuits 209 are also connected to the local bus 203, and the microcontroller 202 via the local bus
10 203. The application specific circuits 209 vary from I/O module to I/O module depending on the field device to which the I/O module is to be coupled. If the field device is of a type which requires a digital input, then the application specific circuit 209 will include the logic in order to place the digital input into a predefined format which will interface with the remainder of the I/O module. Likewise, if the field device
15 is such that requires an analog input, then the application specific circuit contains logic which converts the analog input signal (via an A/D converter) into a format again consistent with predefined formats. In this manner, the I/O modules are referred to as a specific I/O module type. The microcontroller 202 performs the I/O processing (or preprocessing) for the application specific circuits 209. The preprocessing will vary
20 from each I/O module 21 depending on the type (i.e., A/I, A/O,...) the preprocessing essentially consisting of translating the signals from the application specific circuits to a format compatible with the controller 30, 40, and putting the signals from controller 30, 40 in a format compatible with the I/O module 21. Some of the preprocessing performed includes zero drift, linearization (linearizing thermo-couples), hardware
25 correction, compensation (gain compensation and zero compensation), reference junction compensation, calibration correction, conversions, checking for alarms (limits)... and generating a signal in a predetermined format having predetermined scale (i.e., engineering units, normalized units, percent of scale,...). In the preferred embodiment seven types of applications specific circuits are provided for, these include a high level
30 analog input, low level analog input, analog output, digital input, digital output, smart transmitter interface, and pulse input counter.

The method of the present invention will now be described. Referring to Figure 5, there is shown a partial, representative plant facility being controlled by the process control system. The plant facility oftentimes includes a network of pipelines having fluid flowing therein. In order to move the fluid, pumps are placed in the pipeline network. Valves (not shown) which are closed or fully/partially opened in response to command signals from the process control system are also included in the pipeline network. The pipeline network, which is usually unmanned, includes a pipeline 300 having a fluid 302, and a device for measuring temperature, pressure or differential pressure, fluid flow,.... The devices (often referred to as field devices herein) are generally mounted on the pipeline and generally required at least one pipe intrusion 306. In the preferred embodiment of the present invention a transmitter 310 is mounted on the pipeline 300 and measures the pressure within the pipeline by measuring a differential pressure on either side of an orifice plate 308. (As will be recognized by those skilled in the art a pressure device measuring absolute pressure does not require the orifice plate 308 but still requires at least one pipe intrusion.) The pump, pump connections, pipe intrusions, orifice plate connections,... can be the source of the malfunctions, leaks,....

Transmitters 310 generally include a sensor/sensor assembly 311 which outputs a "raw" signal which is then coupled to a microprocessor (μ p) device 312 for amplification, compensation, scaling, and the like. The output of the transmitter 312 (which is essentially the output of the μ p 312, any desired digital to analog conversion,... not being shown here) is coupled to the IOP 21 of the process control system 10 for performing the control function. A more detailed description of the transmitter maybe had by referring to U.S. patent No. 4,567,466, assigned to the assignee of the present application.

Typically, the sensor element 311 functions as a pressure transducer converting displacement caused by pressure exerted thereon to an electrical output signal. The sensor element includes a semi-conductor plate or diaphragm having strain-sensitive elements, e.g., piezoresistive, diffused thereon. The sensor element of the present invention utilizes a sensor of RIMS (Resonant Integrated Microsensor) technology, which has a higher band width and a higher frequency response than present day silicon sensors. As a result, a much better output of the noise signal is achieved. The RIMS

technology is well understood by those skilled in the art. More detailed information about the resonant sensors can be had by reference to U.S. Patent No. 5,275,055, assigned to the assignee of the present application.

Referring to Figure 6, there is shown a functional block diagram of the transmitter 310 of the present invention. The transmitter 310 of the present invention includes a sensor element 311 of the RIMS technology measuring a PRESSURE from a pipeline (or other element). The sensor element 311 outputs a signal of a sufficient bandwidth which includes the information signal indicative of the pressure (or delta pressure) which is inputted to a first filter, filter 1 313. The output signal which also includes noise information of the fluid flow in the pipeline is inputted into a second filter, filter 2 314. The first filter 313 is a high pass filter to permit the information signal to pass into a microprocessor 312, where the signal is amplified, compensated, scaled.... as in a normal sensor which presently exists today. The second filter 314 is a low pass filter which passes the low frequency components of the output signal containing information about the noise inherent in the fluid flow of the pipeline 300. The noise component is inputted to a microprocessor 312' which contains a model of the devices and pipeline network in which the fluid is flowing. As a result of the modeling and an analysis of the noise signal through the modeling, various parameters $A_1, A_2 \dots A_n$ are outputted to the process control system 10. These output parameters are predictive or preventative maintenance information which are advisory and uncontrolled information. The microprocessor 312' is coupled to a memory 315 which stores the parameter information, both past and current. A comparison of the past and present parameters provides information about changes in the noise signal characteristics of the fluid flow, and as a result can reliably detect and predict when a pump seal is beginning to leak, that a pipeline has a small leak (generally at a seal), if the pump 305 is starting to cavitate, bearing noise in the pump indicating a pump failure is imminent,.... It will be recognized by those skilled in the modeling arts that a model can be generated to model the fluid flow in the pipeline and the noise associated therewith. The parameters A_n outputted from the model are advisory and in the present invention are coupled to the process control system 10 so that an operator can take appropriate action. The microprocessor 312 and 312' as shown in Figure 6 can be the same microprocessor 312

as shown in the transmitter of Figure 5. The filters 313 . 314 can include an analog to digital converter and/or can be a digital filter included in the microprocessor 312.

Referring to Figure 7, there is shown an alternative embodiment of the transmitter 310 of Figure 6. In the alternative embodiment, a sensor element 311 is
5 utilized which has an inherent filter such that two signals are outputted from the sensor element 311. The first signal comprising the pressure or delta pressure component of the output signal of the sensor element 311, and the second signal including the low frequency noise component of the information contained in the output signal thereby eliminating the need for the filters as shown in Figure 6.

10 Referring to Figure 8, there is shown a flow diagram of a method used by the transmitter of the process control system of the present invention for the early detection of pending equipment failure or a pending fault condition. The noise signal is inputted to the microprocessor 312' and is passed through the model contained in the microprocessor (block 401). The output of the model are various parameters indicative
15 of the noise flow within the pipeline, the parameters $A_1, A_2 \dots A_n$ being saved in the memory 315 (block 405). If this is the first time through the algorithm, effectively what has been done is the parameters are stored and the flow through the pipeline including the noise component has been characterized by the model and the process starts over at block 401 (block 410). In the normal running of the model (not the first time through)
20 the parameters A_1 through A_n recently obtained are compared to the parameters A_1 through A_n which have been stored in the memory 315 (block 415). If the parameters are not different, the process is repeated and starts again at block 401. If the currently obtained parameters fail to compare with the past parameters, the difference in the parameters is analyzed (block 425). The parameters may indicate more low frequency
25 components of the noise, more high frequency components of the noise, both.... whereupon a conclusion can be reached relating the differences to impending failures. such as a bearing noise which has gotten louder, or cavitation noise has been detected and these can be related to the equipment/ devices causing the noise and as a result a specific output (or outputs) is made to the process control system (block 430) indicating
30 the potential or probable equipment failure in the pipeline system.

While there has been shown what is considered the preferred embodiment of the present invention, it will be manifest that many changes and modification can be made

therein without departing from the essential spirit and scope of the invention. It is intended, therefore, in the annexed claims to cover all such changes and modifications which fall within the true scope of the invention.

CLAIMS

1. In a pipeline system of a process facility, the pipeline system having a plurality of equipments, the equipments including at least one pipeline for providing a channel for a fluid of a process to flow, the process of the process facility being controlled by a process control system, and at least one device for measuring a process variable of the fluid, the device comprising:
- 5
- a) sensor element for sensing a predetermined process variable of the fluid flowing in the pipeline to output a signal containing information about the process variable being measured and containing information about the fluid flowing in the pipeline;
 - 10 b) first filter to pass a first component of the signal containing the information of the process variable;
 - c) second filter to pass a second component of the signal containing the information about the fluid flowing in the pipeline;
 - 15 d) first processor for processing the first component of the signal to output the process variable to the process control system to control the process; and
 - e) second processor for processing the second component of the signal in a flow model of the pipeline system to output advisory information indicating imminent failure of the equipment when detected by said processing by the second processor.
 - 20
2. A device according to Claim 1 wherein said sensor element has a broad bandwidth.
- 25
3. A device according to Claim 2 wherein said sensor element is an element of resonant integrated microsensor technology.
4. A device according to Claim 3 wherein said first processor and said second processor is a microprocessor performing the processing of the first component of the signal and the second component of the signal.
- 30

5. In a pipeline system of a process facility, the pipeline system having a plurality of equipments, the equipments including at least one pipeline for providing a channel for a fluid of a process to flow, the process of the process facility being controlled by a process control system, and at least one device for measuring a process variable of the fluid, the device comprising:

5

a) sensor element for sensing a predetermined process variable being measured and containing information about the fluid flowing in the pipeline to output a first signal containing information about the process variable being measured and a second signal containing information about the fluid flowing in the pipeline;

10

b) first processor for processing the first signal to output the process variable to the process control system to control the process; and

c) second processor for processing the second signal in a flow model of the pipeline system to output advisory information indicating imminent failure of the equipment when detected by said processing by the second processor.

15

6. In a pipeline system of a process facility, the pipeline system having a plurality of equipments, the equipments including at least one pipeline for providing a channel for a fluid of a process to flow, the process of the process facility being controlled by a process control system, and at least one device for measuring a process variable of the fluid, a method for predicting imminent failures of the equipments of the pipeline system, the method comprising the steps of:

20

a) capturing a signal by the device, the signal having an information component and a noise component, the information component including information about the process variable of the fluid being measured by the device, and the noise component including information about the flow of the fluid;

25

b) passing the noise component of the signal through a model of the pipeline system to characterize the noise component of the signal by characterization parameters;

30

c) if this is the first pass through the method.

- i) saving these initial characterization parameters;
and;
- ii) proceeding to step (a); otherwise
- d) comparing the characterization parameters of the current pass
5 with the initial characterization parameters;
- e) analyzing differences in the characterization parameters to
indicate the cause of the differences, the causes being indicative of an
imminent failure of an equipment of the pipeline system; and
- f) transmitting information to the process control system of the
10 imminent failure of the pipeline system in order that corrective action can
be taken timely.

1/8

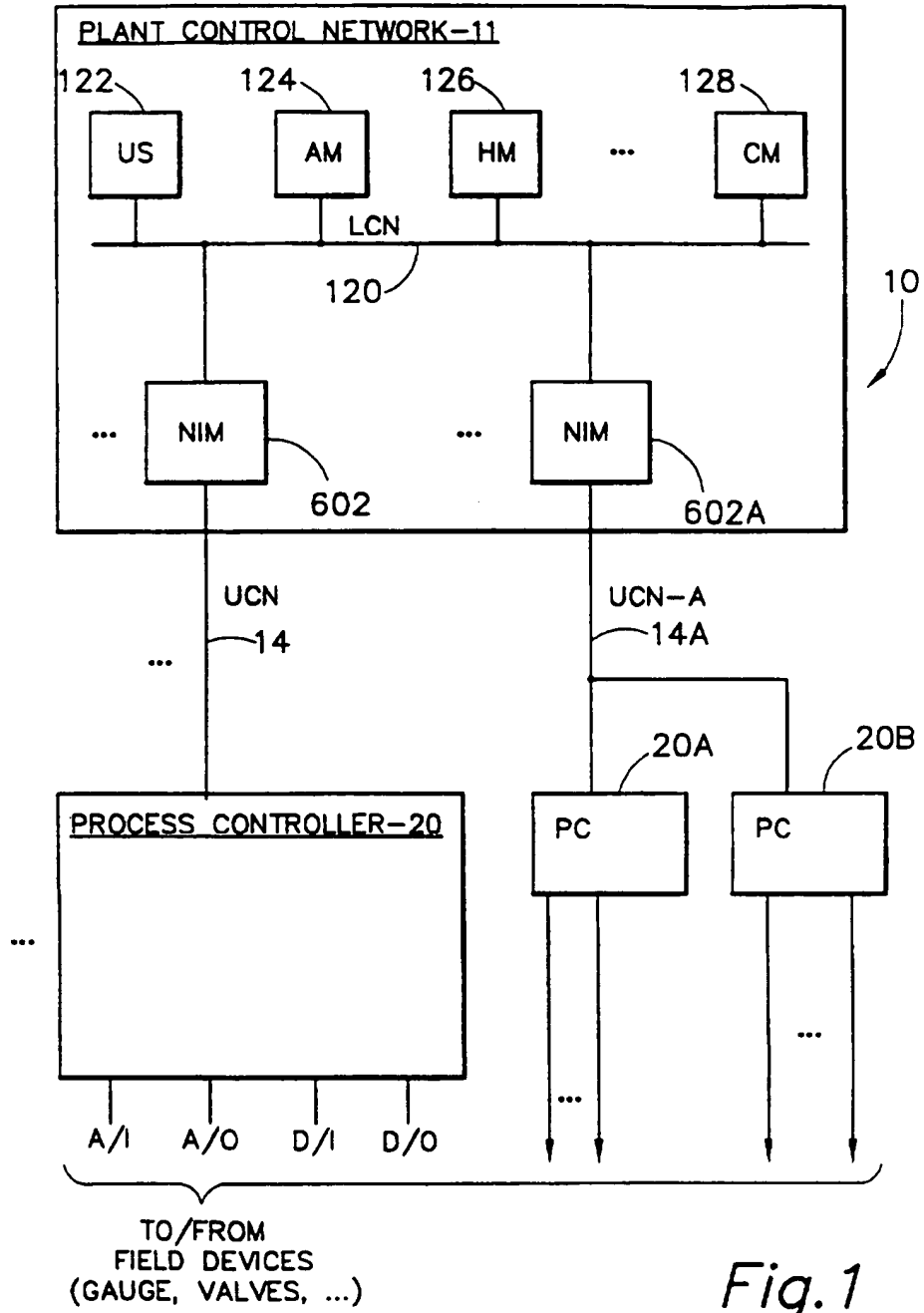


Fig. 1

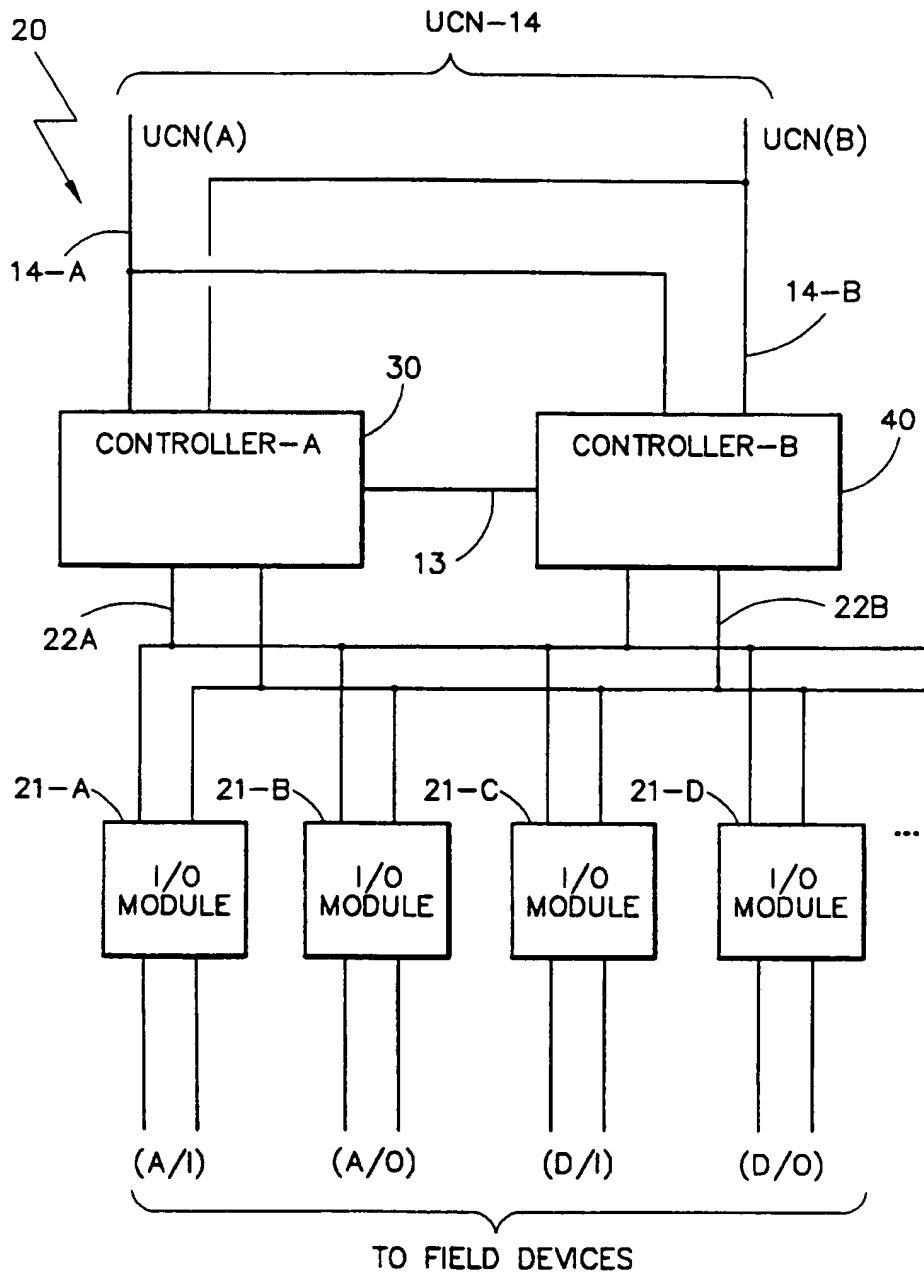


Fig. 2

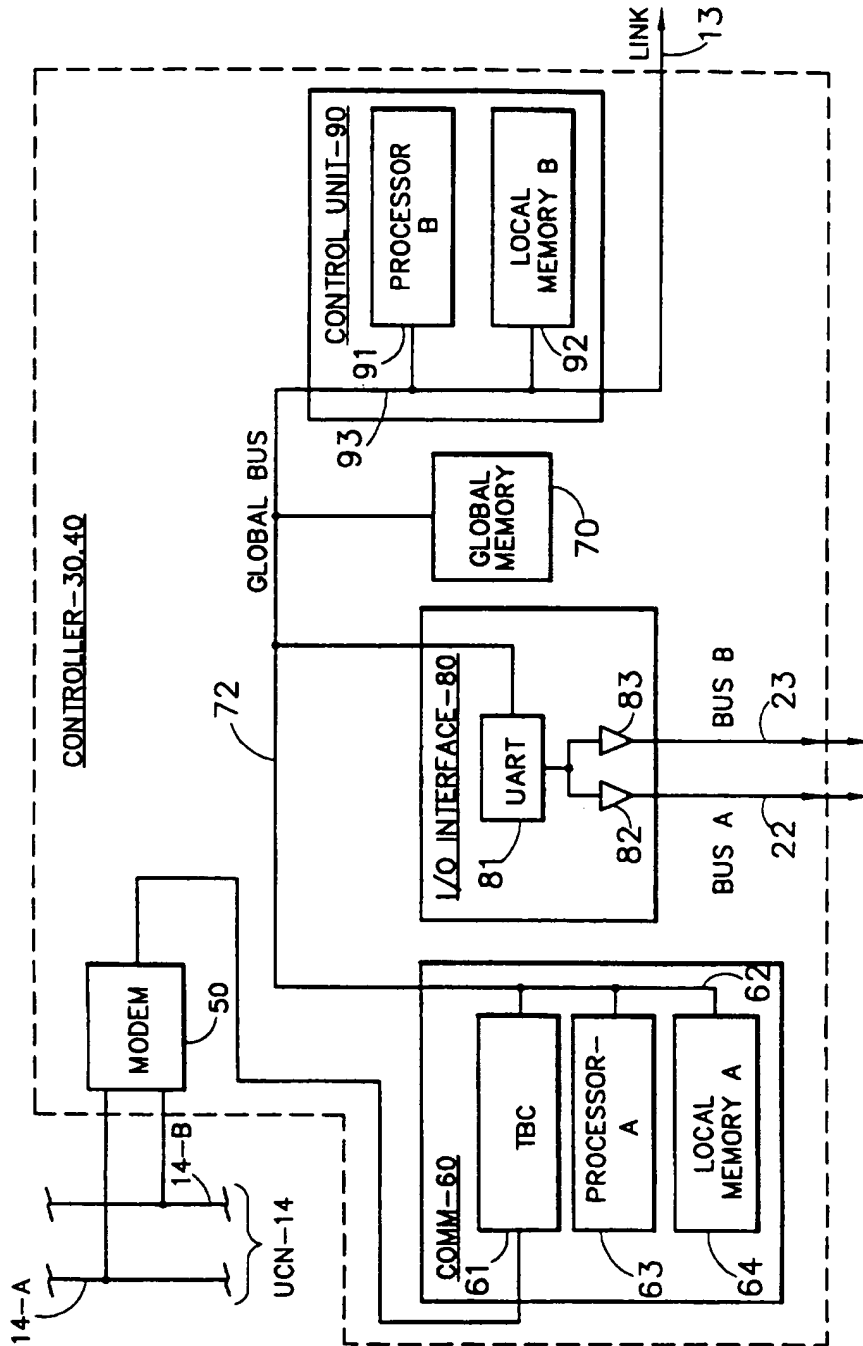


Fig. 3

4/8

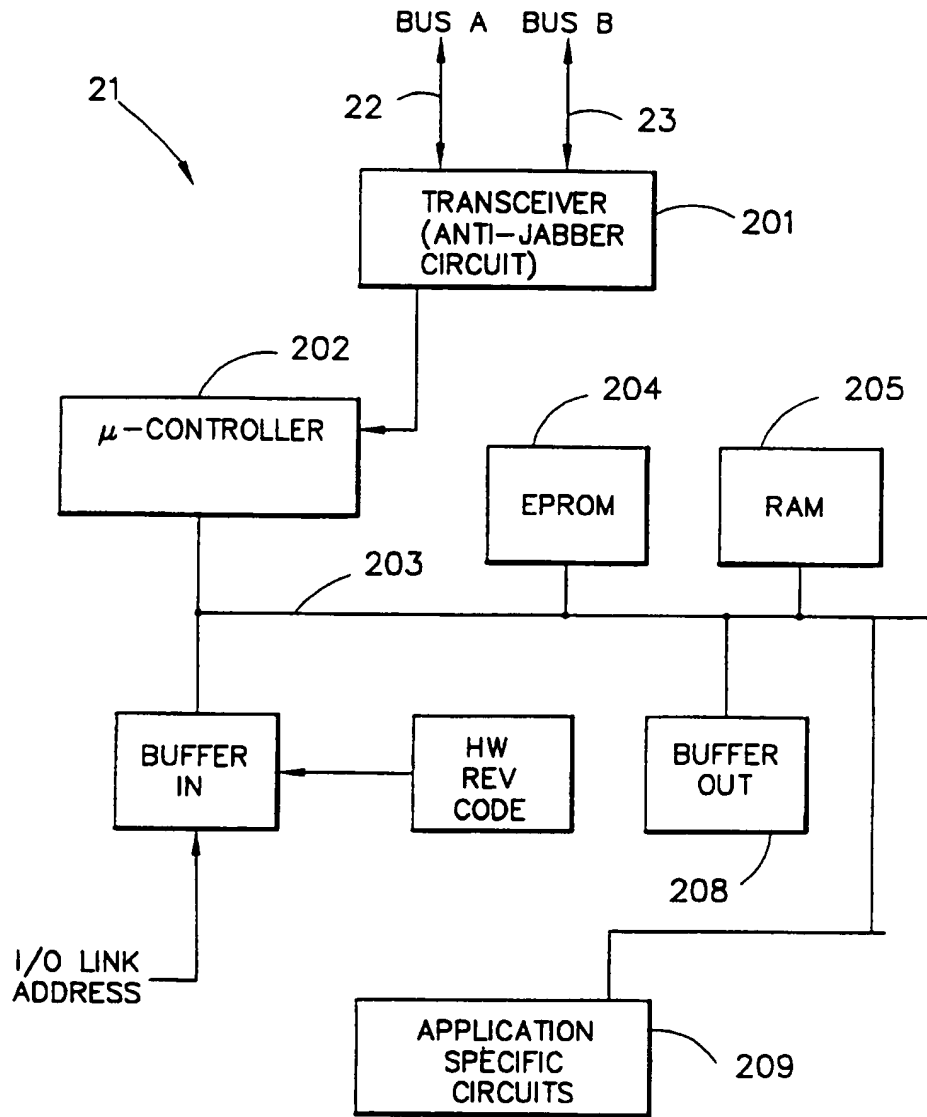


Fig. 4

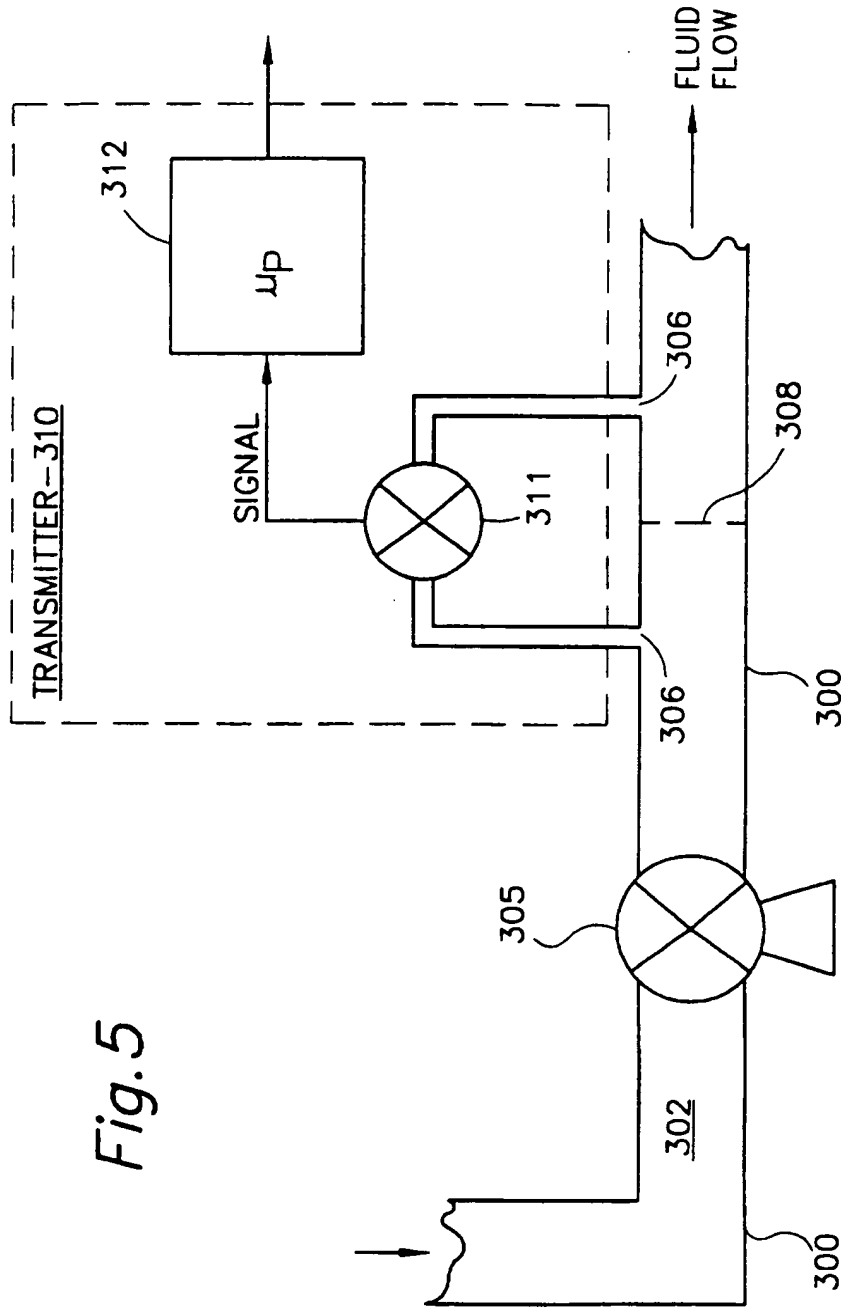


Fig. 5

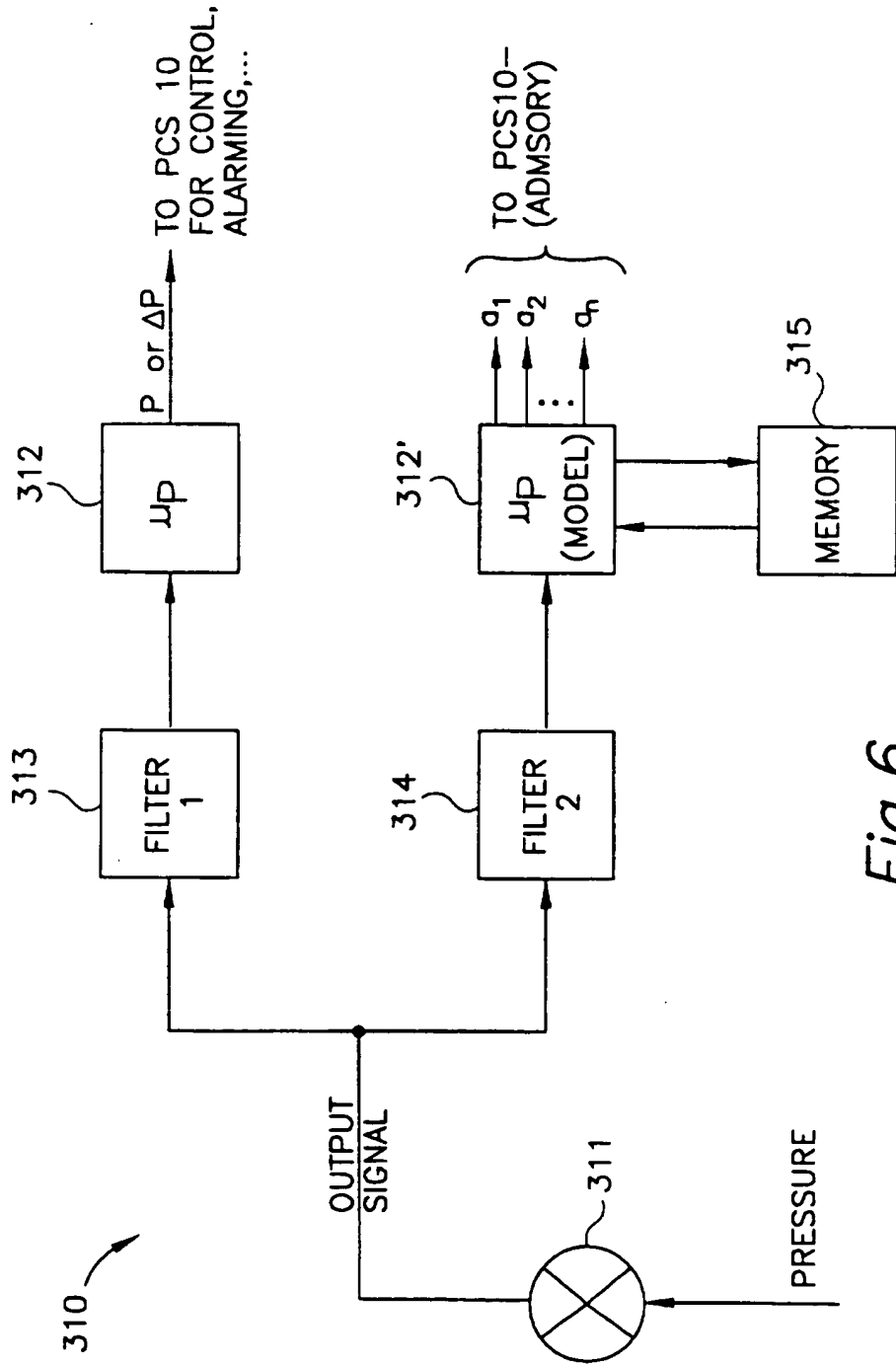


Fig. 6

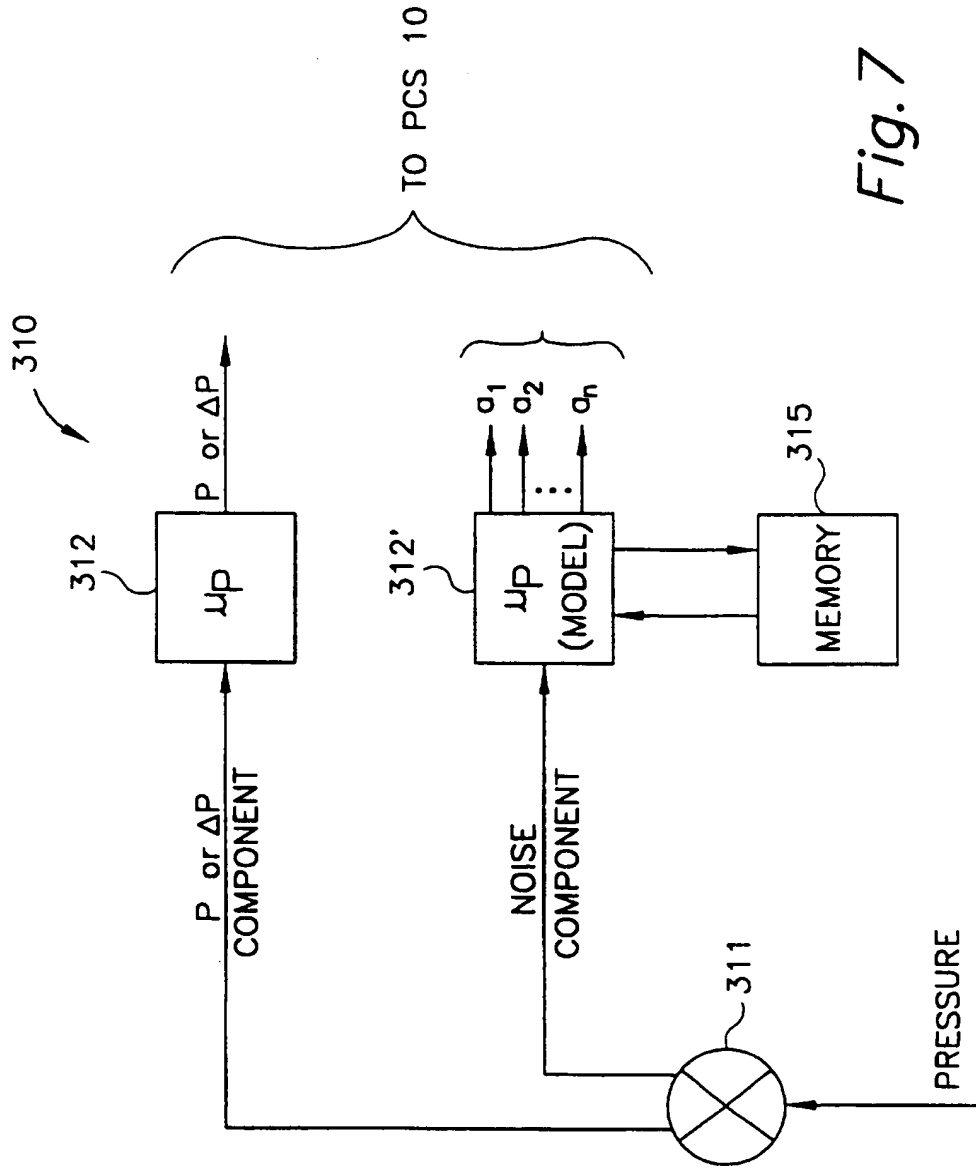


Fig. 7

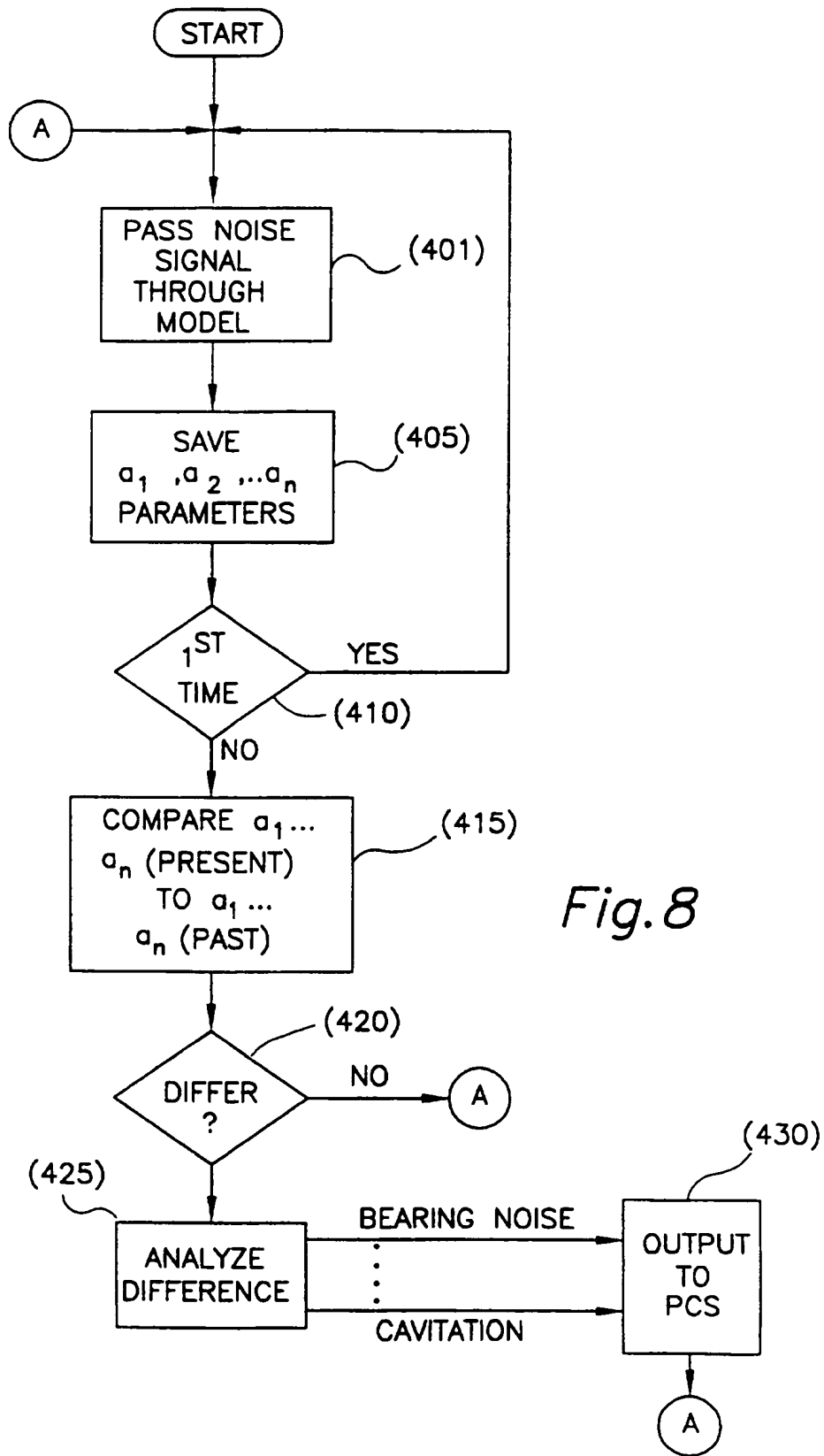


Fig. 8

INTERNATIONAL SEARCH REPORT

Int. onal Application No
PCT/US 95/15839

A. CLASSIFICATION OF SUBJECT MATTER
IPC 6 G05D7/06 G05B9/00

According to International Patent Classification (IPC) or to both national classification and IPC

B. FIELDS SEARCHED

Minimum documentation searched (classification system followed by classification symbols)
IPC 6 G05D G05B

Documentation searched other than minimum documentation to the extent that such documents are included in the fields searched

Electronic data base consulted during the international search (name of data base and, where practical, search terms used)

C. DOCUMENTS CONSIDERED TO BE RELEVANT

Category *	Citation of document, with indication, where appropriate, of the relevant passages	Relevant to claim No.
X	US,A,4 060 716 (PEKRUL PAUL J ET AL) 29 November 1977 see abstract see column 2, line 55 - column 3, line 13 see column 3, line 57 - column 5, line 11 see column 10, line 30 - column 11, line 4 see column 11, line 17 - column 14, line 7 see figures 1-6 ---	1-6
A	US,A,5 353 627 (DIATSCHENKO VICTOR ET AL) 11 October 1994 see the whole document ---	1-6

-/--

Further documents are listed in the continuation of box C.

Patent family members are listed in annex.

* Special categories of cited documents:

- *A* document defining the general state of the art which is not considered to be of particular relevance
- *E* earlier document but published on or after the international filing date
- *L* document which may throw doubts on priority claim(s) or which is cited to establish the publication date of another citation or other special reason (as specified)
- *O* document referring to an oral disclosure, use, exhibition or other means
- *P* document published prior to the international filing date but later than the priority date claimed

- *T* later document published after the international filing date or priority date and not in conflict with the application but cited to understand the principle or theory underlying the invention
- *X* document of particular relevance; the claimed invention cannot be considered novel or cannot be considered to involve an inventive step when the document is taken alone
- *Y* document of particular relevance; the claimed invention cannot be considered to involve an inventive step when the document is combined with one or more other such documents, such combination being obvious to a person skilled in the art.
- *&* document member of the same patent family

Date of the actual completion of the international search

25 June 1996

Date of mailing of the international search report

26. 07. 96

Name and mailing address of the ISA
 European Patent Office, P.B. 5818 Patentlaan 2
 NL - 2280 HV Rijswijk
 Tel. (+ 31-70) 340-2040, Tx. 31 651 epo nl,
 Fax: (+ 31-70) 340-3016

Authorized officer

Helot, H

INTERNATIONAL SEARCH REPORT

International Application No
PCT/US 95/15839

C.(Continuation) DOCUMENTS CONSIDERED TO BE RELEVANT

Category	Citation of document, with indication, where appropriate, of the relevant passages	Relevant to claim No.
A	US,A,4 811 605 (NADEAU FRANCOIS ET AL) 14 March 1989 see abstract see column 3, line 33 - column 4, line 16 see column 4, line 56 - column 5, line 46; figures 1-8 ---	1-6
A	EP,A,0 320 280 (EXXON RESEARCH ENGINEERING CO) 14 June 1989 see column 2, line 56 - column 3, line 24 see column 4, line 23 - column 5, line 5 ---	1-6
A	US,A,5 052 041 (NAKANISHI KEIJI ET AL) 24 September 1991 see abstract see column 9, line 27 - column 11, line 54 see figures 1,7-10 -----	1-6

INTERNATIONAL SEARCH REPORT

Information on patent family members

International Application No

PCT/US 95/15839

Patent document cited in search report	Publication date	Patent family member(s)	Publication date
US-A-4060716	29-11-77	BE-A- 841575	01-09-76
		CA-A- 1185691	16-04-85
		CH-A- 610125	30-03-79
		DE-A- 2622120	02-12-76
		FR-A,B 2312060	17-12-76
		GB-A- 1498372	18-01-78
		JP-A- 51141991	07-12-76
		SE-B- 409770	03-09-79
		SE-A- 7604766	20-11-76

US-A-5353627	11-10-94	NONE	

US-A-4811605	14-03-89	NONE	

EP-A-0320280	14-06-89	US-A- 4824016	25-04-89
		AU-B- 2674688	15-06-89
		CA-A- 1321824	31-08-93
		DE-D- 3883725	07-10-93
		DE-T- 3883725	16-12-93
		ES-T- 2043855	01-01-94
		JP-A- 1222110	05-09-89

US-A-5052041	24-09-91	JP-A- 2225966	07-09-90
		DE-A- 4005846	30-08-90
		GB-A,B 2228648	29-08-90
